

HR-2P

HDMI SWITCH



Switch Two HDMI Sources Seamlessly on One Display Screen

Using SmartAVI's HR-2P, it is possible to connect two HDMI components to one display screen for easy and seamless switching between sources. Transmit high-definition sources such as Blu-ray players, gaming consoles, computers or cable receivers easily while viewing on one HDTV monitor. This is perfect for educational lectures, corporate meeting rooms, bars and lounges.

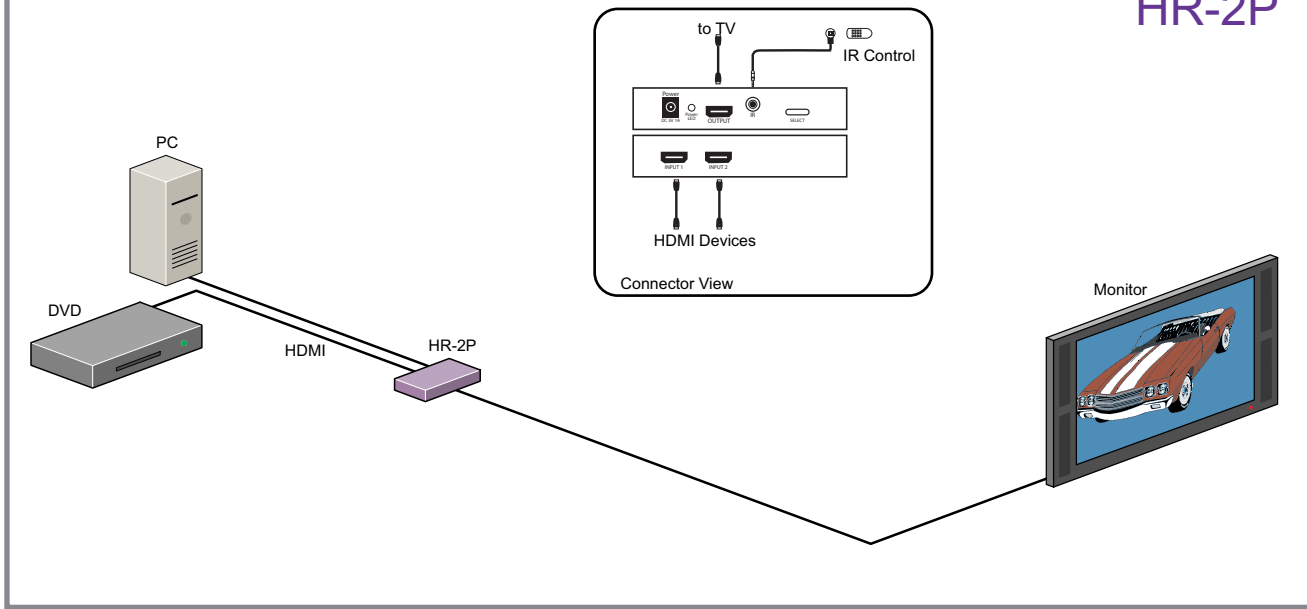
A great example of the HR-2P in action would be a bar showing a live football game; during half time, the unit could be switched to another source for entertainment such as music videos on DVD or Blu-ray, another sports event via cable or satellite or even a PowerPoint presentation from a computer displaying half time specials on drinks and appetizers, etc. Once the game resumes, the display can be switched right back using the unit's infrared control from anywhere in the building.

Features

- Support HDMI 1.3b deep color signal
- Maintains 480p, 720p, 1080i and 1080p video formats
- Supports HDMI 1.3 digital audio format LPCM/Dolby-AC3/DTS7.1/DSD
- Manual operated or IR remote control both are available
- ATC & HDCP compliant
- Connect Two HDMI Components to an HDTV Monitor
- Seamless Switching Between HDMI Sources

Application Diagram

HR-2P



Specifications

HDMI Source Input Port	2
Display Device Output Port	1
Source/Display Port Connector	HDMI
HDCP Compliant	YES
HDTV Resolution	480i,480p,720i,720p,1080i,1080p
Single Link Range	1920 x 1200
Vertical Frequency Range	60HZ
Power adaptor	DC 5V 1A
Dimension(mm)	128(L) x 75.5(W) x 25(H)
Housing	Aluminum
Package	16pcs/CTN, 8.6KGS/CTN

Applications

- Restaurants
- Resort Check-In Areas
- Lounges
- Civic Centers
- Retail Locations
- Meeting Halls/Theaters

IR Control



Order Info

Item	PartNo.
HDMI Router/Switch 2Port Includes HR-2P and PS5VDC1A-C	HR-2PS
Remote control Unit (optional)	RMT-HR
IR-eye for HDMI switch	EYE-IRH

Many industry leaders have already embraced SmartAVI's advanced technology and have eagerly implemented our products throughout their organizations. Such companies include:



SmartAVI, Inc.
 2840 N. Naomi Ave. Burbank, CA 91504
 Tel: (818) 565-0011 Fax: (818) 565-0020
 smartavi.com