

SRP-08R

8-PORT REMOTE
POWER FAMILY



*Securely monitor and control your power outlets
from anywhere in the world!*

The SRP-08R series power distribution unit (PDU) allows you to:

- Reboot your computer or other devices remotely via the internet
- Control power usage by creating schedules to save energy and money
- Monitor power usage to determine how much electricity has been used
- Monitor the temperature to make sure things are keeping cool
- Track amperage to determine peak usage times



Made in the USA

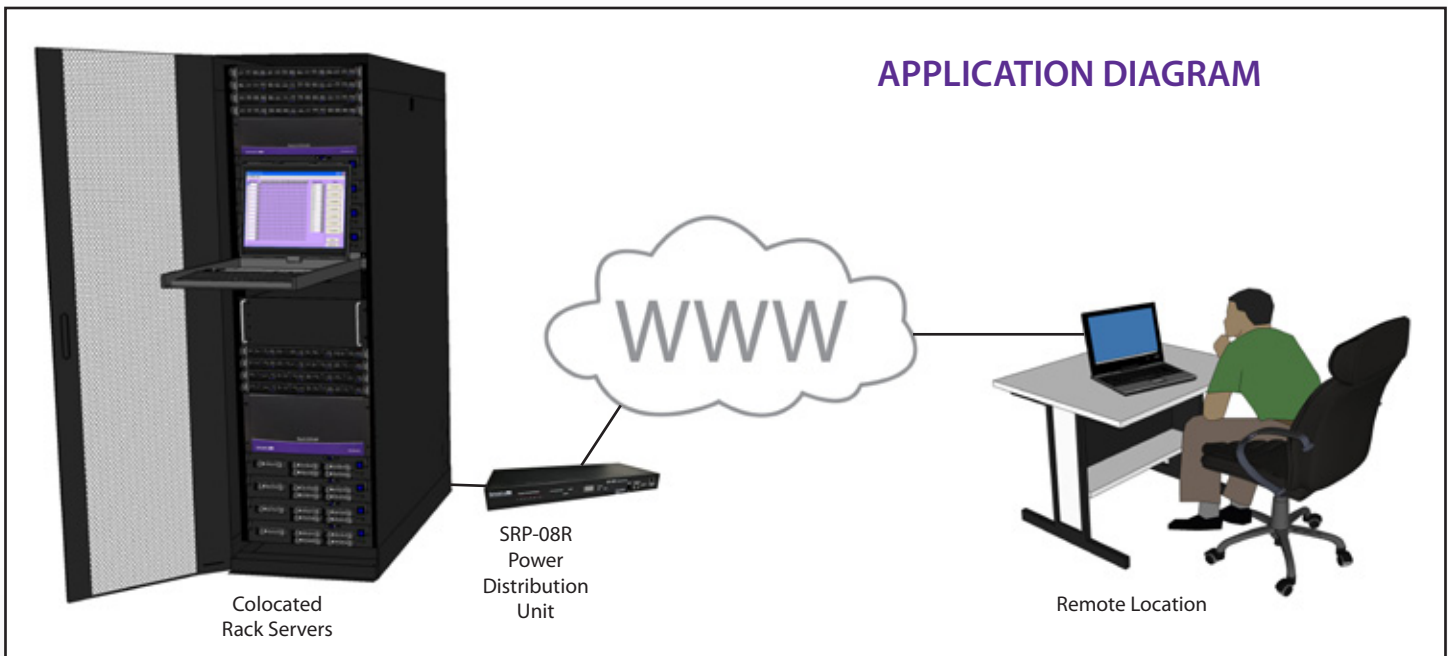
Smart-AM
SMART AUDIO VIDEO INNOVATION

www.smartavi.com

FEATURES

- Securely monitor, control and reboot devices from anywhere in the world
- Accessible via RS232, IE, Telnet, Email and SNMP
- Supports AUTO-MDIX via one RS232 service port & one 10M/100M-T RJ45 ethernet port
- Supports secure access ethernet connection, encrypted SMTP transfer and https security
- Configurable with DHCP or static IP
- Supports per outlet event timers and clock
- Supports simple internet firewall for added security
- Autonomous ICMP AutoPing for each power outlet
- Integrated SNMP agent and trap notification message capability
- POP3/SMTP for sending and receiving control commands or data
- Supports per port access management up to 8 users
- Local and remote temperature and current sensing
- Dial-up modem support via local serial port
- Handles large current equipment up to 15-40A 100-240V

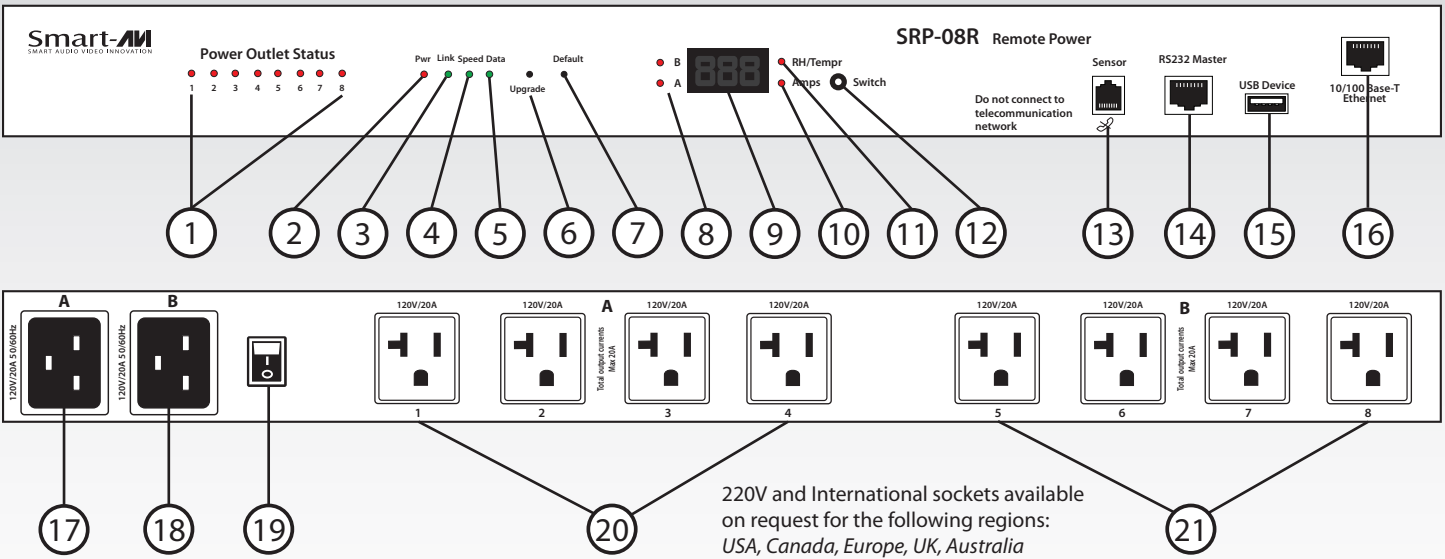
APPLICATIONS



- Control the power to mission critical devices such as a colocation servers, ATMs or cash registers.
- Monitor how much energy is used by devices
- Reboot servers when they become unresponsive
- Schedule times to power off unused devices to save energy and money



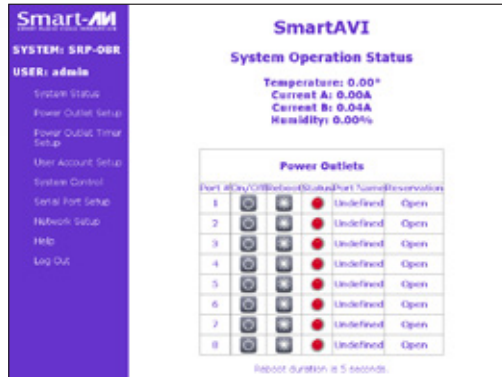
SPECIFICATIONS



1. Power Outlet status LED: Visual indication of user power outlet On/Off status.
2. System power On/Off status LED: Indication of system power On/Off status.
3. Ethernet Link status LED: When illuminated, the Ethernet port and LAN connection are established.
4. Ethernet speed status LED: Ethernet port have 100M status.
5. Ethernet Active data status LED: When there is data traffic on the LAN, the LED is illuminated.
6. Factory Default Reset switch: Allow the user to upgrade the system. The switch is located behind the small front panel opening.
7. Factory Default Reset switch: Allow a user to reset the system to factory default settings. The switch is located behind the small front panel opening.
8. A and B Selection LED: When the LED is illuminated, For Circuits A or B Amps which measurement will appear on the Digital Displays.
9. Digital Displays: Digital Displays toggle between Amps and Temperature, and the LED indicators light and show which measurement is currently selected.
10. Display Selection Amps Indicators: When the LED is illuminated, Amps which measurement will appear on the Digital Displays.
11. Display Selection Temperature Indicators: When the LED is illuminated, Temperature which measurement will appear on the Digital Displays.
12. Display Selection Button : Each time the Display Selection Button is pressed, the Digital Displays will toggle Between Amps and Temperature, and the LED indicators light and show which measurement is currently selected.
13. Sensor Port: Temperature and humidity port (Optional ,e.g. PT100).
14. Local Master Port (female, or RJ-45 socket): This is also a service port for the user to configure and change the operation setting of system.
15. USB Port for software upgrading.
16. Ethernet Port (RJ45, 10/100 Base-T): 10/100 Based-T Ethernet port for connection to LAN.
17. Power Circuit A - Power Inlet: An NEMA5-15P/IEC320-C14 AC inlet which supplies power (08 Series 1-4 outlets; 16 Series 1-8 outlets).
18. Power Circuit B - Power Inlet: An NEMA5-15P/IEC320-C14 AC inlet which supplies power (08 Series 5-8 outlets; 16 Series 9-16 outlets).
19. Power Breaker: System turn on/off the power supply.
20. Power Circuit A - Switched Outlets: AC Outlets that can be switched On, Off or rebooted in response.
21. Power Circuit B - Switched Outlets: AC Outlets that can be switched On, Off or rebooted in response.

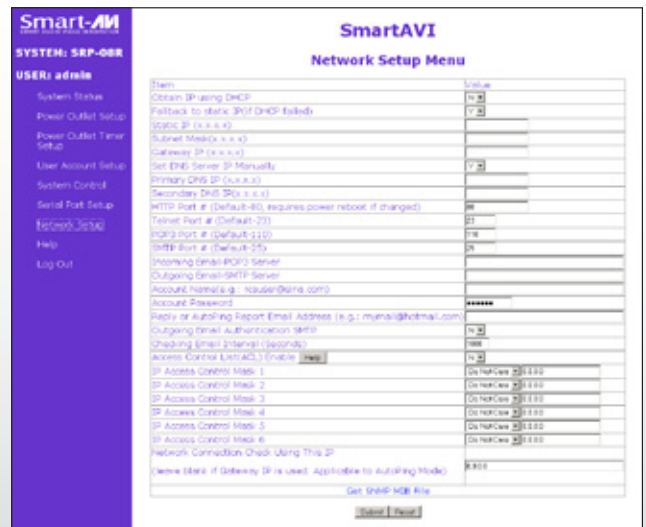
220V and International sockets available on request for the following regions:
USA, Canada, Europe, UK, Australia

WEB INTERFACE



The SRP-08R has a comprehensive and easy-to-use web interface for monitoring and controlling the functions of the unit. Simply log on to the device through a web browser and setup the many functions of the SRP-08R. Turn outlets on and off, reboot outlets, monitor power usage and more.

The SRP-08R has a detailed network setup menu that gives you total control over the access to the device. Access is available through a number of methods, including TCP/IP, Telnet, POP3, SMTP and more.



SPECIFICATIONS

Enter Plug	1-2
Supply Socket	NEMA5-15P NEMA5-20P CEE7/7 BS1363 IEC60309 NEMA L6-20P NEMA L6-30P
Equipment End	IEC60320-C20
Outlets	(8)NEMA5-20R
Input Current	20 Amp
Input Voltage	100-240 VAC
Chassis Dimensions	19 in W x 7 in D x 1.75 in H
Console port	Baud rate:115200; 8 data bits ; No parity;1 stop bit, no hardware handshaking
Ethernet	10/100 Base-T, support AUTO-MDIX
Network Protocol	ICMP, IP, TCP/UDP, DHCP, Telnet, DNS, POP3/SMTP, SNMP, HTTP, HTTPS and SSL
Display	6LEDs
Operating Temp.	32F - 122F (0C - 50C)
Storage Temp.	-20F - 140F (-29C - 60C)
Humidity	10-90% RH

ORDERING INFORMATION

Part No.	Description
SRP-08US	8-Port Smart Remote Power Unit. Includes: [SRP-08U] (United States Socket)
SRP-08ES	8-Port Smart Remote Power Unit. Includes: [SRP-08E] (European Socket)
SRP-08BS	8-Port Smart Remote Power Unit. Includes: [SRP-08B] (United Kingdom Socket)

Many leading companies have recognized and embraced the innovation of SmartAVI's technologies and have successfully incorporated them into their organizations. Clients of SmartAVI include:



SmartAVI, Inc. / Twitter: [smartavi](#) - 11651 Vanowen St. North Hollywood, CA 91605
Tel: (818) 503-6200 Fax: (818) 503-6208 - <http://www.SmartAVI.com>

Smart-*AVI*
SMART AUDIO VIDEO INNOVATION



Made in the USA

www.smartavi.com